



PARTS MANUAL

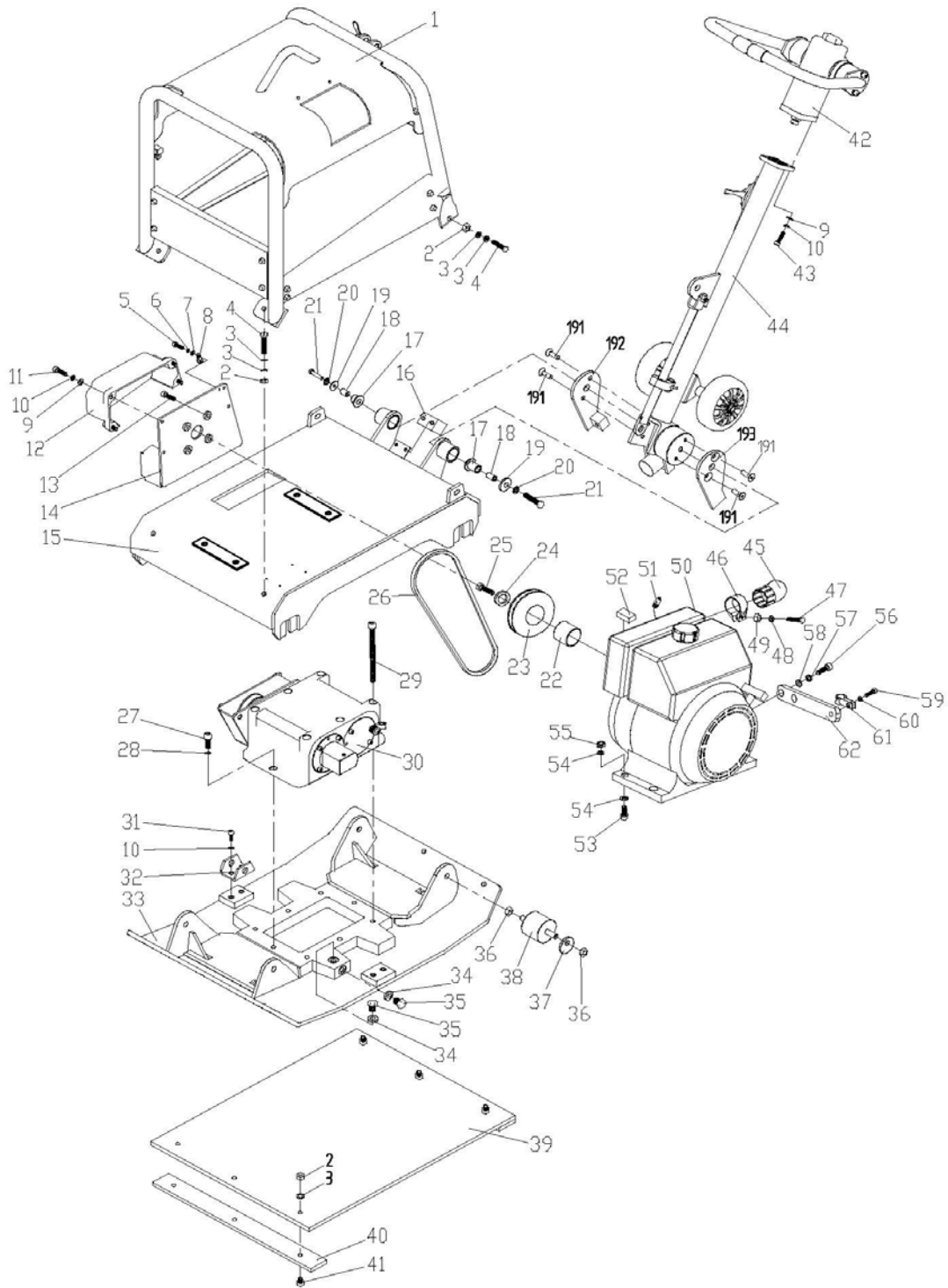
HYDRAULIC REVERSIBLE PLATE COMPACTOR

PCR4025 SERIES



PARTS LIST BOMOO-A PCR4025 SERIES

GENERAL ASSEMBLY



PARTS LIST BOMOO-A PCR4025 SERIES

GENERAL ASSEMBLY

PCR4025-BOM00-A

| ITEM NO. | PART NO. | DESCRIPTION | ERP NO | QTY | REMARK |
|----------|-------------------|----------------------------|----------|-----|--|
| 1 | MH4025R.00.05G-B | PROTECTIVE FRAME | 52601004 | 1 | FOR GX200/EX17 PETROL ENGINE |
| | MH4025R.00.05L-A | PROTECTIVE FRAME | 52606001 | 1 | FOR LD225 /1B20 DIESEL ENGINE |
| 2 | GB889.1-M10 | LOCK NUT M10 | 20405006 | 11 | |
| 3 | GB97.1-10 | FLAT WASHER 10 | 20501009 | 16 | |
| 4 | GB5783-M10x40 | HEX HEAD SCREW M10x40 | 20102156 | 4 | |
| 5 | GB70.1-M5x16 | HEX HEAD SCREW M5x16 | 20306004 | 1 | |
| 6 | GB93-5 | SPRING WASHER 5 | 20509002 | 1 | |
| 7 | GB97.1-5 | FLAT WASHER 5 | 20501003 | 1 | |
| 8 | JTKG-5 | STRIP CLAMP | 41406016 | 1 | |
| 9 | GB97.1-8 | FLAT WASHER 8 | 20501007 | 9 | |
| 10 | GB93-8 | SPRING WASHER 8 | 20509006 | 8 | |
| 11 | GB70.1-M8x25 | HEX HEAD SCREW M8x25 | 20306103 | 4 | |
| 12 | MH4025R.00.09-01G | COVER | 41205020 | 1 | FOR GX200/EX17 PETROL ENGINE |
| | MH4025R.00.09-01L | COVER | 41205021 | 1 | FOE LD225、1B20 DIESEL ENGINE |
| 13 | GB70.3-M8x25 | HEX HEAD SCREW M8x25 | 20308109 | 4 | FOR GX200/EX17 PETROL ENGINE (SX) |
| | MH4025R.00.35 | SCREW | 40401043 | 4 | FOR GX200/EX17 PETROL ENGINE (QX) |
| | GB70.3-M8x20 | THE IMPERIAL SCREWS | 20308101 | 6 | FOR LD225 DIESEL ENGINE |
| | GB5783-M10x25 | HEX HEAD SCREW M10x25 | 20102152 | 4 | FOR 1B20 DIESEL ENGINE |
| 14 | MH4025R.00.09-02G | BASE PLATE WELDING DRAWING | 40303009 | 1 | FOR GX200/EX17 PETROL ENGINE |
| | MH4025R.00.09-02L | BASE PLATE WELDING DRAWING | 40303010 | 1 | FOR LD225 DIESEL ENGINE |
| | MH4025R.00.09-02Z | BASE PLATE WELDING DRAWING | 40303112 | 1 | FOR 1B20 DIESEL ENGINE |
| 15 | MH4025R.00.03A | ENGINE MOUNTING PLATE ASSY | 40303008 | 1 | FOR GX200/EX17 PETROL ENGINE, LD225 DIESEL ENGINE |
| | MH4025R.00.03Z | ENGINE MOUNTING PLATE ASSY | 40802046 | 1 | FOR 1B20 DIESEL ENGINE |
| 16 | TAPG-215 | CLAMP | 41406025 | 1 | |
| 17 | MH4025R.00.13 | NYLON SLEEVE | 41201059 | 2 | |
| 18 | MH4025R.00.14 | BUSHING | 40504034 | 2 | |
| 19 | MH4025R.00.24 | HANDLE MOUNTING GASKET | 40504035 | 2 | |
| 20 | GB93-12 | SPRING WASHER | 20509009 | 2 | |
| 21 | GB5783-M12x60 | HEX HEAD BOLT | 20102209 | 2 | |
| 22 | MH4025R.00.12GZ | SHAFT SLEEVE | 40507010 | 1 | FOR GX200/EX17 PETROL ENGINE (SX) |
| | MH4025R.00.12YZ | SHAFT SLEEVE | 40507011 | | FOR GX200/EX17 PETROL ENGINE (QX) |
| | MH4025R.00.12L | SHAFT SLEEVE | 40507013 | | FOR LD225 DIESEL ENGINE |
| | MH4025R.00.12Z | SHAFT SLEEVE | 40402093 | | FOR 1B20 DIESEL ENGINE |
| 23 | MH4012.00.20GZ | CLUTCH | 51701006 | 1 | FOR GX200/EX17 PETROL ENGINE (SX) |
| | MH4012.00.20YZ | CLUTCH | 51703001 | | FOR GX200/EX17 PETROL ENGINE (QX) |
| | MH4025.00.11L | CLUTCH | 52606003 | | FOR LD225 DIESEL ENGINE |
| | MH4025.00.11Z | CLUTCH | 52601009 | | FOR 1B20 DIESEL ENGINE |
| 24 | MH4012.00.23 | WASHER | 40504062 | 1 | FOR GX200/EX17 PETROL ENGINE, LD350 DIESEL ENGINE |
| | MH4025.00.23Z | WASHER | 40303110 | 1 | FOR 1B20 DIESEL ENGINE |
| 25 | GB5783-M8x35 | BOLT | 20102106 | 1 | FOR GX200/EX17 PETROL ENGINE (SX) |
| | MH4012.00.22 | BOLT | 20109002 | 1 | FOR GX200/EX17 PETROL ENGINE (QX), LD225 DIESEL ENGINE |
| | GB70.1-M8x25 | BOLT | 20306103 | 1 | FOR 1B20 DIESEL ENGINE |
| 26 | xPA782 GATES | BELT | 21201001 | 1 | FOR GX200/EX17 PETROL ENGINE |
| | xPA882 GATES | BELT | 21201011 | 1 | FOR LD225、1B20 DIESEL ENGINE |
| 27 | GB70.1-M10x35 | HEX HEAD SCREW M10x35 | 20306156 | 2 | |

PARTS LIST BOM00-A PCR4025 SERIES

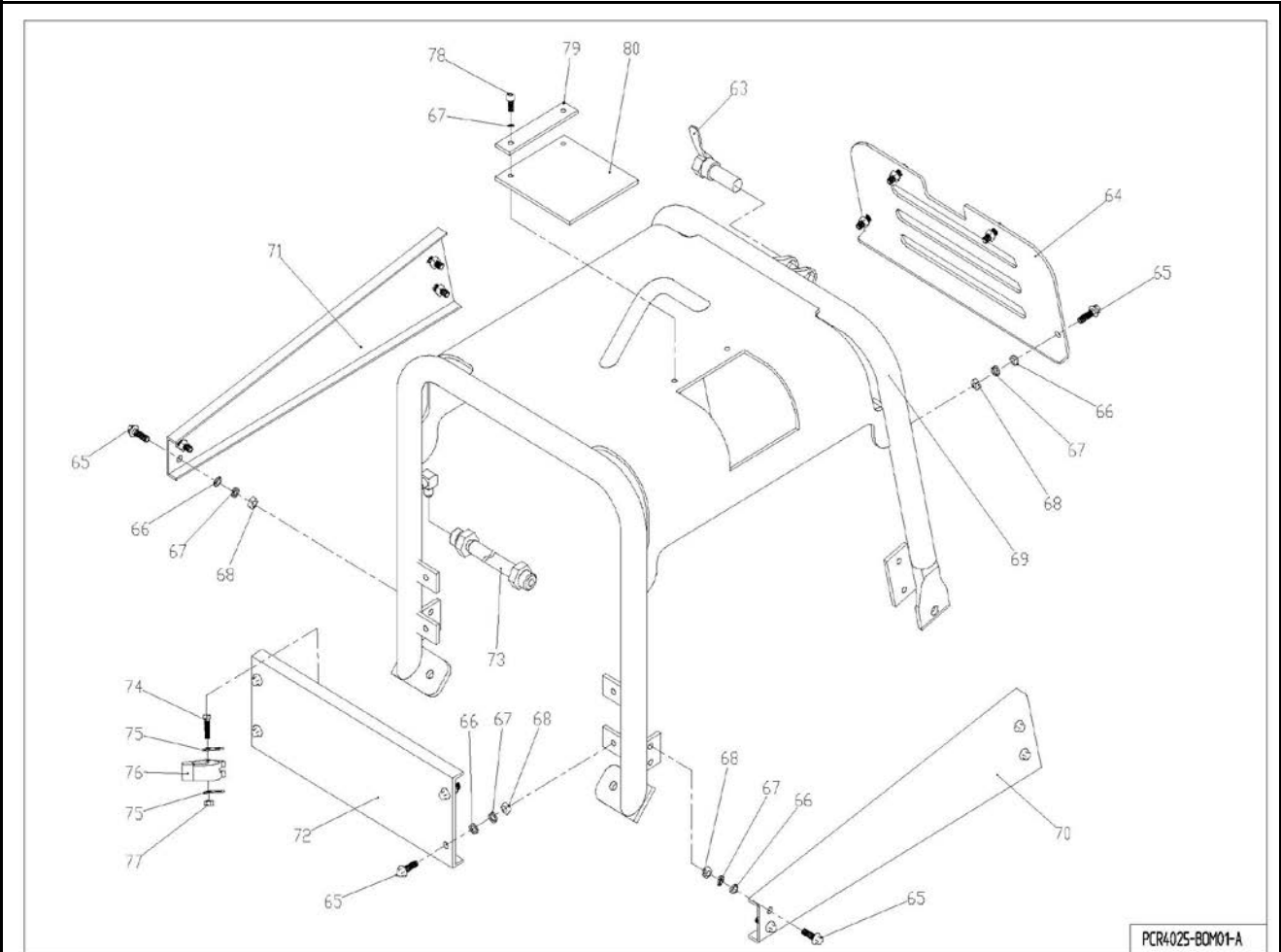
GENERAL ASSEMBLY

PCR4025-BOM00-A

| | | | | | |
|-----|----------------------|--------------------------|----------|---|---|
| 28 | GB93-10 | SPRING WASHER 10 | 20509008 | 2 | |
| 29 | GB70.1-M10x130 10.9级 | SCREW | 20306167 | 6 | |
| 30 | MH4025R.00.02 | VIBRATION BOX ASSY | 52601001 | 1 | |
| 31 | GB70.1-M8x20 | HEX HEAD SCREW M8x20 | 20306102 | 4 | |
| 32 | MH4025R.00.01-03 | WHEEL FRAME | 40209004 | 2 | |
| 33 | MH4025R.00.01 | BASE ASSY | 40803006 | 1 | WELDING BASE PLATE |
| | MH4025R.00.01.01ZJ | CASTING BASE PLATE | 40803040 | 1 | CASTING BASE PLATE |
| 34 | JB1002-14 | COPPER WASHER | 21105004 | 2 | |
| 35 | MRS80.GZ01 | PLUG | 40401001 | 2 | |
| 36 | GB889.1-M12 | NUT M12 | 20405007 | 8 | |
| 37 | MH4025R.00.06 | WASHER | 40504033 | 4 | |
| 38 | MH4025R.00.08C | SHOCK ABSORBER | 41201011 | 4 | |
| 39 | MH4025R.00.16 | RUBBER MAT | 41203017 | 1 | WELDING BASE PLATE |
| | MH4025R.00.16ZJ | RUBBER MAT | 41201116 | 1 | CASTING BASE PLATE |
| 40 | MH4025R.00.07 | RUBBER PLATE | 40203059 | 2 | WELDING BASE PLATE |
| | MH4025R.00.07ZJ | RUBBER PLATE | 40203274 | 2 | CASTING BASE PLATE |
| 41 | GB5783-M10x50 | SCREW | 20102158 | 6 | |
| 42 | MH4025R.00.04.01-04C | CASE, HYDRAULIC PUMP | 40901009 | 1 | |
| 43 | GB70.1-M8x35 | SCREW | 20306105 | 4 | |
| 44 | MH4025R.00.04.02 | HANDLE ASSY | 52601003 | 1 | |
| 45 | MH4025R.00.28 | EXHAUST PIPE | 41002017 | 1 | FOR LD225 DIESEL ENGINE |
| 46 | MH4025R.00.27 | PIPE CLAMP | 41406024 | 1 | FOR LD225 DIESEL ENGINE |
| 47 | GB70.1-M8x35 | SCREW | 20306105 | 1 | |
| 48 | GB97.1-8 | FLAT WASHER 8 | 20501007 | 1 | |
| 49 | GB889.1-M8 | NUT M8 | 20405004 | 1 | |
| 50 | GX200 | PETROL ENGINE | / | 1 | HONDA |
| | EX170 | PETROL ENGINE | / | 1 | ROBIN |
| | 1B20 | DIESEL ENGINE | / | 1 | HATZ |
| | LD225 | DIESEL ENGINE | / | 1 | LOMBARDINI |
| 51 | MH4012.00.26 | THROTTLE JOINT | 41004002 | 1 | ONLY FOR GX200 PETROL ENGINE |
| 52 | / | FLAT KEY | / | 1 | ENGINE PACK |
| 53 | GB5783-M8x45 | HEX HEAD BOLT M8x45 | 20102108 | 4 | FOR GX200/EX17 PETROL ENGINE , 1B20 DIESEL ENGINE |
| | GB5783-M10x45 | HEX HEAD BOLT M10x45 | 20102157 | 4 | FOR LD225 DIESEL ENGINE |
| 54 | GB97.1-8 | FLAT WASHER 8 | 20501007 | 8 | FOR GX200/EX17 PETROL ENGINE , 1B20 DIESEL ENGINE |
| | GB97.1-10 | FLAT WASHER 10 | 20501009 | 8 | FOR LD225 DIESEL ENGINE |
| 55 | GB889.1-M8 | LOCK NUT M8 | 20405004 | 4 | FOR GX200/EX17 PETROL ENGINE , 1B20 DIESEL ENGINE |
| | GB889.1-M10 | LOCK NUT M10 | 20405006 | 4 | FOR LD225 DIESEL ENGINE |
| 56 | GB70.1-M6x15 | HEX HEAD SCREW 6X15 | 20306051 | 2 | |
| 57 | GB93-6 | SPRING WASHER 6 | 20509004 | 2 | |
| 58 | GB97.1-6 | FLAT WASHER 6 | 20501005 | 2 | |
| 59 | GB70.1-M5x10 | HEX HEAD SCREW 5X10 | 20306002 | 1 | |
| 60 | GB97.1-5 | FLAT WASHER 5 | 20501003 | 1 | |
| 61 | JTRG-5 | STRIP CLAMP | 41406016 | 1 | |
| 62 | MH4012.00.28C | FIXED PLATE | 40203016 | 1 | |
| 191 | GB70.3-M8x15 | HEX HEAD SCREW | 20308100 | 4 | |
| 192 | MH4025R.00.32 | LEFT LIMITING PLATE ASSY | 40303006 | 1 | |
| 193 | MH4025R.00.33 | LEFT LIMITING PLATE ASSY | 40303007 | 1 | |

PARTS LIST BOM01-A PCR4025 SERIES

PROTECTIVE FRAME

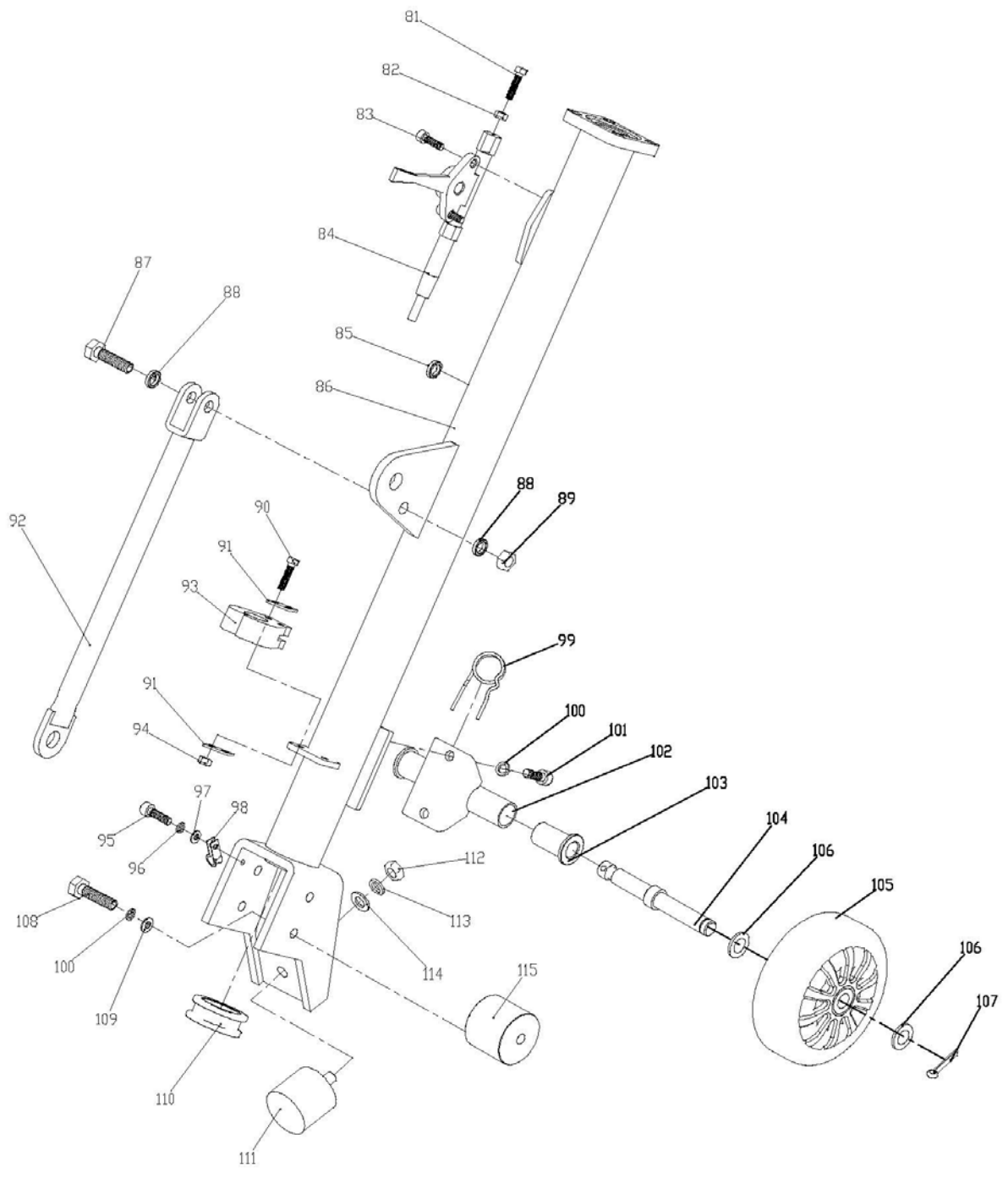


PCR4025-BOM01-A

| ITEM NO. | PART NO. | DESCRIPTION | ERP NO | QTY | REMARK |
|----------|---------------------|--------------------------|----------|-----|-----------------------------------|
| 63 | 170001 | BOLT TYPE LOCKING DEVICE | 41403025 | 1 | |
| 64 | MH4025R.00.05-08A | COVER PLATE, BACK | 40203070 | 1 | |
| 65 | GB5783-M8x25 | HEX HEAD BOLT | 20102102 | 16 | |
| 66 | GB97.1-8 | FLAT WASHER 8 | 20501007 | 16 | |
| 67 | GB93-8 | SPRING WASHER 8 | 20509006 | 18 | |
| 68 | GB889.1-M8 | LOCK NUT | 20405004 | 16 | |
| 69 | MH4025R.00.05G-B | PROTECTIVE FRAME | 52601004 | 1 | FOR GX200/EX17 PETROL ENGINE |
| | MH4025R.00.05L-A | PROTECTIVE FRAME | 52606001 | 1 | FOR LD225 /1B20 DIESEL ENGINE |
| 70 | MH4025R.00.05-09-02 | COVER PLATE, RIGHT | 40207091 | 1 | |
| 71 | MH4025R.00.05-09-01 | COVER PLATE, LEFT | 40207090 | 1 | |
| 72 | MH4025R.00.05-07 | COVER PLATE, FRONT | 40207089 | 1 | NEUTRAL |
| | MH4025R.00.05-07PAC | COVER PLATE, FRONT | 40203383 | 1 | MASTERPAC |
| 73 | MH4025.00.21G | OIL DRAIN HOSE | 41001029 | 1 | FOR GX200 PETROL ENGINE |
| | MH4025.00.21L | OIL DRAIN HOSE | 41001030 | 1 | FOR EX17、LD225、1B20 DIESEL ENGINE |
| 74 | GB5783-M6x30 | SOCKET HEAD BOLT M6X30 | 20102056 | 2 | FOR DIESEL LD225 |
| 75 | MH4012.00.18 | CONNECTOR | 40203058 | 2 | FOR DIESEL LD225 |
| 76 | MH4012.00.17C | CLAMP | 41205011 | 1 | FOR DIESEL LD225 |
| 77 | GB889.1-M6 | LOCK NUT | 20405002 | 2 | FOR DIESEL LD225 |
| 78 | GB70.1-M8x15 | HEX HEAD SCREW | 20306100 | 2 | FOR LD225/1B20 DIESEL ENGINE |
| 79 | MH4025R.00.15 | RUBBER COVER PRESS PLATE | 40203071 | 1 | FOR LD225/1B20 DIESEL ENGINE |
| 80 | MH4025R.00.10 | RUBBER COVER PLATE | 41203050 | 1 | FOR LD225/1B20 DIESEL ENGINE |

PARTS LIST BOM02-A PCR4025 SERIES

HANDLE



PCR4025-BOM02-A

PARTS LIST BOMO2-A PCR4025 SERIES

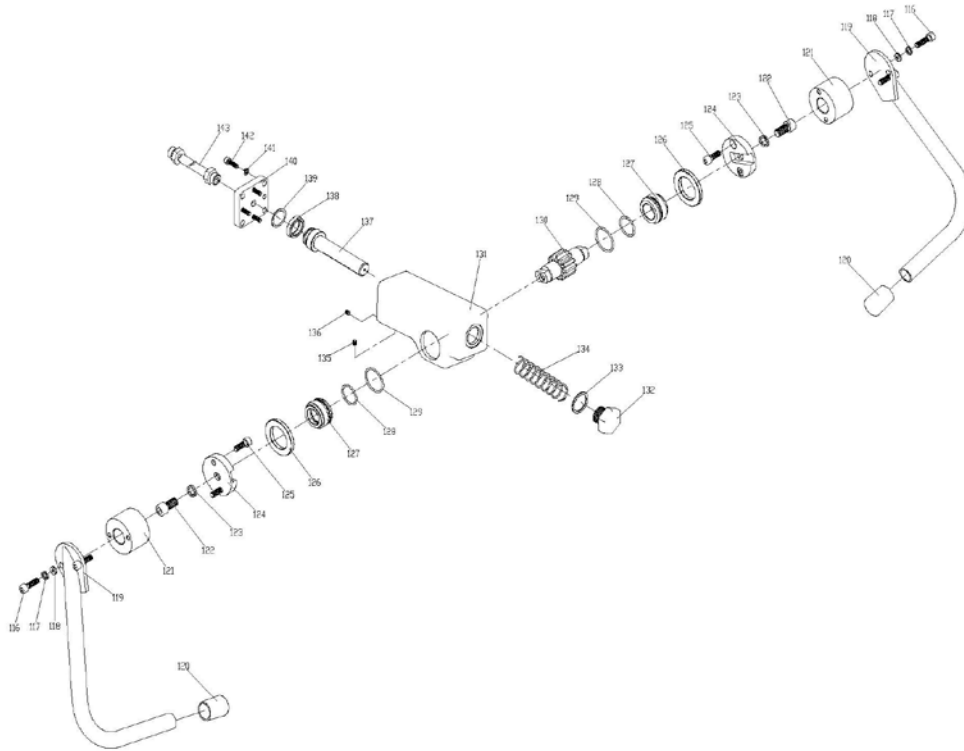
HANDLE

PCR4025-BOM02-A

| ITEM NO. | PART NO. | DESCRIPTION | ERP NO | QTY | REMARK |
|----------|-------------------------|---------------------------------|----------|-----|------------------------------|
| 81 | GB5783-M6x40 | HEX HEAD BOLT | 20102060 | 1 | |
| 82 | GB889. 1-M6 | LOCK NUT | 20405002 | 1 | |
| 83 | GB70. 3-M6x20 | HEX HEAD SCREW | 20308052 | 2 | |
| 84 | MH5030R. 00. 19G-A | THROTTLE SWITCH ASSY | 41403027 | 1 | FOR GX200/EX17 PETROL ENGINE |
| | MH4025R. 00. 19L | THROTTLE SWITCH ASSY | 41403024 | 1 | FOR LD225、1B20 DIESEL ENGINE |
| 85 | MRS62-9917 | PROTECTIVE RING | 41404001 | 2 | |
| 86 | MH4025R. 00. 04. 02-01B | WELDING DRAWING OF HANDLE PARTS | 40305004 | 1 | |
| 87 | GB5783-M10x35 | HEX HEAD BOLT | 20102155 | 1 | |
| 88 | MH4025R. 00. 04. 02-10 | NYLON WASHER | 41201060 | 2 | |
| 89 | GB889. 1-M10 | LOCK NUT | 20405006 | 1 | |
| 90 | GB5783-M6x30 | HEX HEAD BOLT | 20102056 | 2 | |
| 91 | MH4012. 00. 18 | CONNECTOR | 40203058 | 2 | |
| 92 | MH4025R. 00. 04. 02-09 | CONNECTING ROD ASSY | 40407005 | 1 | |
| 93 | MH4012. 00. 17C | CLAMP | 41205011 | 1 | |
| 94 | GB889. 1-M6 | LOCK NUT | 20405002 | 2 | |
| 95 | GB70. 1-M5x16 | HEX HEAD SCREW | 20306004 | 1 | |
| 96 | GB93-5 | SPRING WASHER 5 | 20509002 | 1 | |
| 97 | GB97. 1-5 | FLAT WASHER 5 | 20501003 | 1 | |
| 98 | JTKG-5 | STRIP CLAMP | 41406016 | 1 | |
| 99 | MH3008. 00. 23 | SPRING CARD | 40103010 | 1 | |
| 100 | GB93-8 | SPRING WASHER 8 | 20509006 | 6 | |
| 101 | GB70. 1-M8x20 | HEX HEAD SCREW | 20306102 | 2 | |
| 102 | MH4025R. 00. 04. 02-07 | WHEEL ACCESSORIES | 40305005 | 1 | |
| 103 | MH4025R. 00. 04. 02-08 | NYLON SLEEVE | 41201058 | 2 | |
| 104 | MH4025R. 00. 17-01 | WHEEL AXLE | 40406022 | 1 | |
| 105 | MH4012. 00. 06-03 | WHEEL | 41405001 | 2 | |
| 106 | MH4025R. 00. 17-02 | NYLON WASHER | 41201061 | 4 | |
| 107 | GB91-4x25 | PIN | 20805100 | 2 | |
| 108 | GB5783-M8x20 | HEX HEAD BOLT | 20102101 | 4 | |
| 109 | GB97. 1-8 | FLAT WASHER 8 | 20501007 | 28 | |
| 110 | MH4025R. 00. 04. 02-11 | SLEEVE | 41404007 | 1 | |
| 111 | MH4025R. 00. 04. 02-12 | RUBBER MAT | 41201031 | 1 | |
| 112 | GB889. 1-M10 | LOCK NUT | 20405006 | 1 | |
| 113 | GB93-10 | SPRING WASHER 10 | 20509008 | 1 | |
| 114 | GB97. 1-10 | FLAT WASHER 10 | 20501009 | 1 | |
| 115 | MH4025R. 00. 34 | UNDER HANDLE SHOCK ABSORBER | 41201012 | 2 | |

PARTS LIST BOM03-A PCR4025 SERIES

HYDRAULIC PUMP



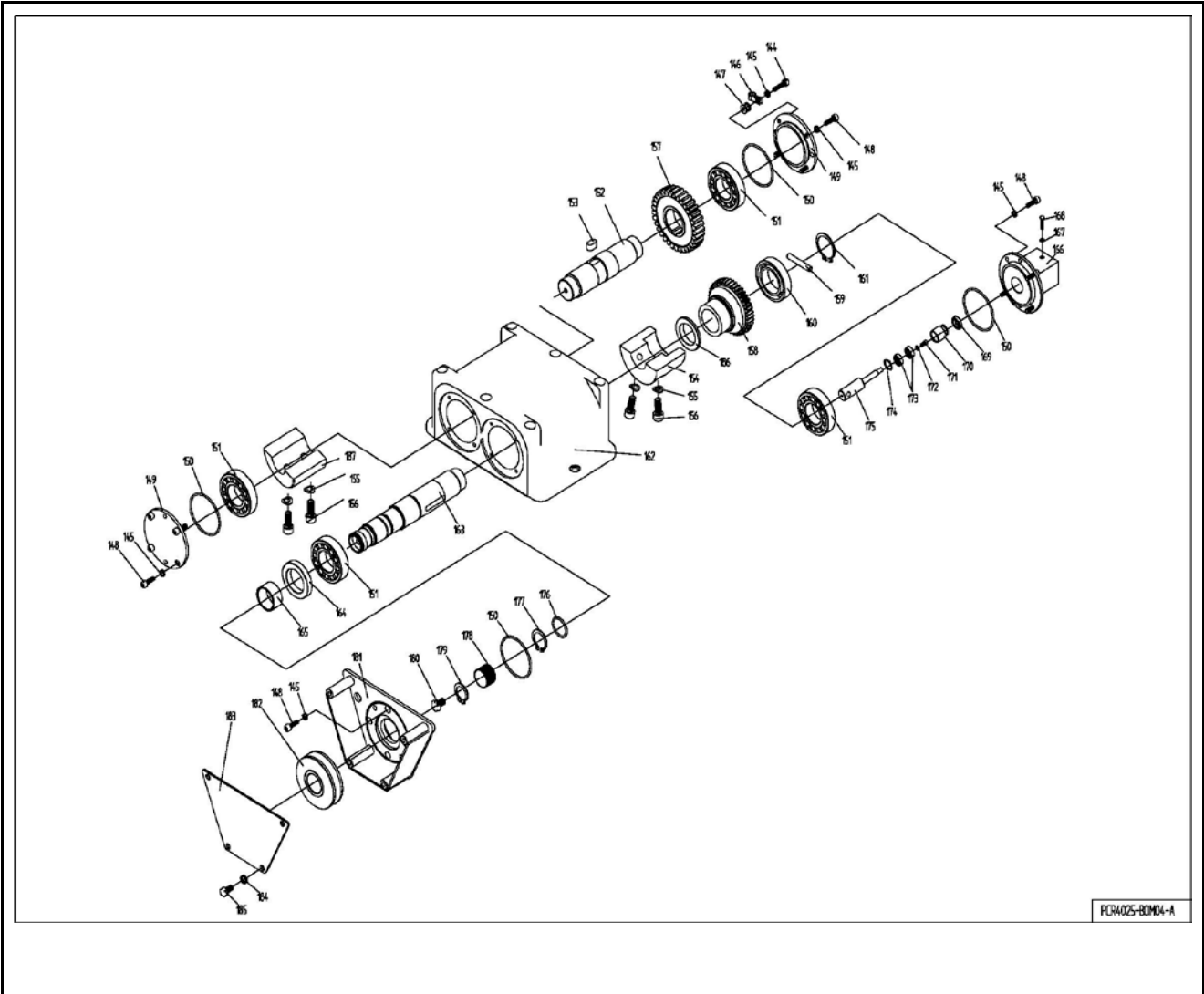
PCR4025-BOM03-A

PCR4025-BOM03-A

| ITEM NO. | PART NO. | DESCRIPTION | ERP NO | QTY | REMARK |
|----------|----------------------|-----------------------------|----------|-----|--------|
| 116 | GB70.1-M8x20 | HEX HEAD SCERW | 20306102 | 4 | |
| 117 | GB93-8 | SPRING WASHER 8 | 20509006 | 4 | |
| 118 | GB97.1-8 | FLAT WASHER 8 | 20501007 | 4 | |
| 119 | MH4025R.00.04.01-01 | HANDLE | 40305003 | 2 | |
| 120 | MH4025R.00.04.01-02 | SLEEVE | 41404004 | 2 | |
| 121 | MH4025R.00.04.01-03 | SHOCK ABSORBER | 41201013 | 2 | |
| 122 | GB70.1-M12x25 | HEX HEAD SCERW | 20306200 | 2 | |
| 123 | GB93-12 | SPRING WASHER 12 | 20509009 | 2 | |
| 124 | MH4025R.00.04.01-07 | SHOCK ABSORBER FIXING PLATE | 40201019 | 2 | |
| 125 | GB70.1-M8x20 | HEX HEAD SCERW | 20306102 | 4 | |
| 126 | MH4025R.00.04.01-11 | NYLON SLEEVE | 41201057 | 2 | |
| 127 | MH4025R.00.04.01-06 | SLEEVE | 40507012 | 2 | |
| 128 | GB3452.1-25.8x2.65 | O RING | 21101351 | 2 | |
| 129 | GB3452.1-38.7x2.65 | O RING | 21101358 | 2 | |
| 130 | MH4025R.00.04.01-05 | GEAR SHAFT | 40601005 | 1 | |
| 131 | MH4025R.00.04.01-04C | CASE, HYDRAULIC PUMP | 40901009 | 1 | |
| 132 | JB4450-M27x1.5 | PLUG | 21103003 | 1 | |
| 133 | JB1002-27 | COPPER WASHER | 21105005 | 1 | |
| 134 | MH4025R.00.04.01-10A | SPRING | 40103016 | 1 | |
| 135 | GB1016-6x6 | RIVET 6X6 | 20704001 | 2 | |
| 136 | GB73-M6x8 | SCREW | 20318005 | 1 | |
| 137 | MH4025R.00.04.01-09B | GEAR RACK | 40601006 | 1 | |
| 138 | GB10708.1-33x24x7 | SEALING PACKING | 21107003 | 1 | |
| 139 | GB1235-42x3.1(42) | O RING | 21101404 | 1 | |
| 140 | MH4025R.00.04.01-08B | SEAL PLATE | 40203067 | 1 | |
| 141 | GB93-6 | SPRING WASHER 6 | 20509004 | 4 | |
| 142 | GB70.1-M6x20 | HEX HEAD SCREW M6X20 | 20306053 | 4 | |
| 143 | MH5030R.00.20C | HYDRAULIC TUBING ASSY | 41001032 | 1 | |

PARTS LIST BOMO4-A PCR4025 SERIES

VIBRATION BOX



PARTS LIST BOMO4-A PCR4025 SERIES

VIBRATION BOX PCR4025-BOM004-A

| ITEM NO. | PART NO. | DESCRIPTION | ERP NO | QTY | REMARK |
|----------|------------------------|-------------------|----------|-----|--------|
| 144 | GB70. 1-M6x30 | HEX HEAD SCERW | 20306058 | 1 | |
| 145 | GB93-6 | SPRING WASHER 6 | 20509004 | 16 | |
| 146 | JTKG-16 | STRIP CLAMP | 41406023 | 1 | |
| 147 | MH4025R. 00. 29 | FIXED WASHER | 40504036 | 1 | |
| 148 | GB70. 1-M6x20 | HEX HEAD SCERW | 20306053 | 15 | |
| 149 | MH4025R. 00. 02-07 | BEARING COVER | 40503010 | 2 | |
| 150 | GB3452. 1-71x2. 65 | O RING | 21101359 | 4 | |
| 151 | NJ207ETC3 NSK | BEARING | 21004002 | 4 | |
| 152 | MH4025R. 00. 02-16 | DRIVEN SHAFT | 40406060 | 1 | |
| 153 | GB1096-10x18 | KEY | 20901200 | 1 | |
| 154 | MH4025R. 00. 02-05B | BIBRATORY BLOCK | 40705032 | 1 | |
| 155 | DIN6796-10 | WASHER | 20517001 | 4 | |
| 156 | GB70. 1-M10x30 | HEX HEAD SCERW | 20306153 | 4 | |
| 157 | MH4025R. 00. 02-17 | DRIVEN GEAR | 40601020 | 1 | |
| 158 | MH4025R. 00. 02-15 | GEAR | 40601019 | 1 | |
| 159 | MH4025R. 00. 02-04 | PIN | 40402021 | 1 | |
| 160 | GB281-16008 | BEARING | 21001050 | 1 | |
| 161 | GB894. 1-40 | RETAINING RING | 20601016 | 1 | |
| 162 | MH3820R. 00. 02-13 | VIBRATION BOX | 40901057 | 1 | |
| 163 | MH4025R. 00. 02-14 | SHAFT | 40406059 | 1 | |
| 164 | GB13871-FB40x60x8 | LIP SEAL | 21106008 | 1 | |
| 165 | FIR-354020 | INNER BEARING | 21011003 | 1 | |
| 166 | MH4025R. 00. 02-06 | CYLINDER COVER | 40903012 | 1 | |
| 167 | JB1002-6 | COPPER WASHER | 21105001 | 1 | |
| 168 | GB5783-M6x12 | HEX HEAD BOLT | 20102051 | 1 | |
| 169 | GB10708. 1-25x17x6. 3 | SEAL RING | 21107002 | 1 | |
| 170 | MH4025R. 00. 02. 01-02 | CONNECTING SLEEVE | 40508003 | 1 | |
| 171 | GB70. 1-M5x10 | HEX HEAD SCERW | 20306002 | 1 | |
| 172 | GB97. 1-5 | FLAT WASHER 5 | 20501003 | 1 | |
| 173 | 608ZZ NSK | BEARING | 21001009 | 2 | |
| 174 | GB893. 1-22 | RETAINING RING | 20602002 | 1 | |
| 175 | MH4025R. 00. 02. 01-03 | DRIVE SHAFT | 40402104 | 1 | |
| 176 | GB3452. 1-31. 5x2. 65 | O RING | 21101355 | 1 | |
| 177 | GB894. 1-35 | RETAINING RING | 20601014 | 1 | |
| 178 | BN32x12 | COMPENSATOR | 21108003 | 1 | |
| 179 | GB894. 1-32 | RETAINING RING | 20601013 | 1 | |
| 180 | MH4025R. 00. 02-11 | BOLT | 40401014 | 1 | |
| 181 | MH4025R. 00. 02. 02 | PULLEY COVER ASSY | 40302014 | 1 | |
| 182 | MH4025R. 00. 02-10 | PULLEY | 40607011 | 1 | |
| 183 | MH4025R. 00. 02. 02-04 | COVER PLATE | 40203060 | 1 | |
| 184 | GB93-8 | SPRING WASHER 8 | 20509006 | 4 | |
| 185 | GB5783-M8x15 | HEX HEAD BOLT | 20102100 | 4 | |
| 186 | MH4025R. 00. 02-12 | WASHER | 40201070 | 1 | |
| 187 | MH4025R. 00. 02-05A | BIBRATORY BLOCK | 40705031 | 1 | |



MASTERPAC USA

1260 Old Franklin Turnpike
Suite B, Rocky Mount, Virginia 24151, USA
Tel: +1-540-483-2606
E-mail: usa@masterpac.eu

MASTERPAC ASIA:

Add. Weisi Road, Baohe Industrial Estate, P.R.C.
Tel. 86-551-64846601, 64846580
Fax. 86-551-64846616, 64846626
E-mail. sales@masterpac.eu
www.masterpac.eu